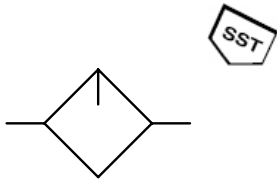


Description	Lubricator for compressed air with bowl without sight glass, extremely robust, with manual adjustment of oil drip rate.
Bowl	stainless steel version without sight glass
Operating pressure	max. 50 bar
Temperature range	0 °C to 80 °C / 32 °F to 176 °F for NBR/Buna-N, 0 °C to 130 °C / 32 °F to 266 °F for high temperature version for appropriately conditioned air down to -20 °C / -4 °F, or low temperature version down to -40 °C / -40 °F
Material	Body: stainless steel 316L, material no. 1.4404 Bowl: stainless steel 316L, material no. 1.4404 Elastomer: FKM Inner valve: stainless steel 316L, material no. 1.4404



G $\frac{1}{4}$ to G2, max. 50 bar
-40 °C / -40 °F to 130 °C / 266 °F

Dimensions			Bowl capacity l	Flow rate		Operating pressure max. bar	Connection thread G	Order number
A	B	C		m ³ /h*1	l/min*1			

Lubricator			operating pressure max. 50 bar					L3000
64	174	130	0.14	54	900	50	G $\frac{1}{4}$	L3000-02
109	161	121	0,20	144	2400	50	G $\frac{3}{8}$	L3000-03
				144	2400		G $\frac{1}{2}$	L3000-04
137	201	168	0.50	480	8000	50	G $\frac{3}{4}$	L3000-06
				480	8000		G1	L3000-08
241	201	168	0.50	480	8000	50	G1 $\frac{1}{4}$	L3000-10
				480	8000		G1 $\frac{1}{2}$	L3000-1A
171	278	218	1.00	720	12000	50	G1 $\frac{1}{2}$	L3000-12
				720	12000		G2	L3000-16



L3000-02



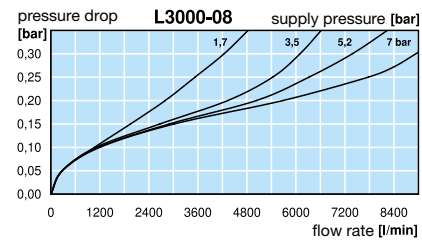
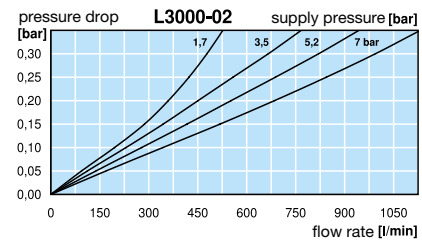
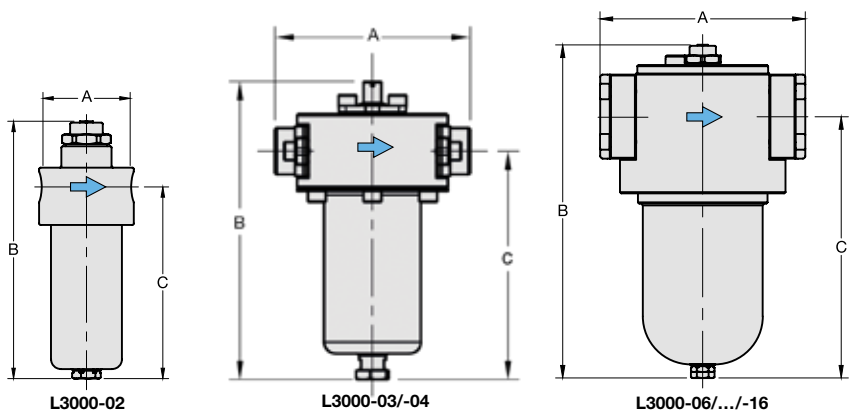
L3000-03/-04



L3000-12

Special options, add the appropriate letter

NPT	connection thread		L3000-.. N
down to -40 °C / -40 °F	low temperature version	from G $\frac{1}{4}$ on	L3000-.. X51
up to 130 °C / 266 °F	high temperature version	from G $\frac{1}{4}$ on	L3000-.. X54
flange connection	see end of the chapter / flanges		L3000-.. F.



*1 at 7 bar operating pressure and 0.33 bar pressure drop